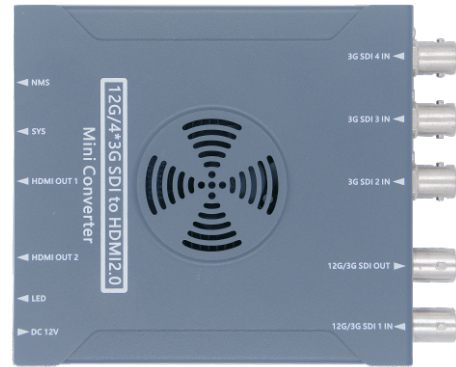


OPR-SH1204A 4K UltraHD (12G-SDI) to HDMI 2.0 Converter



Overview

The OPR-SH1204A converts 12G-SDI or 4*3G SDI to HDMI 2.0, with pristine image fidelity and HFR support up to 60p for 4K UltraHD.

OPR-SH1204A provides an easy to deploy monitoring connection from professional 4K 12G-SDI devices to new displays with HDMI 2.0 inputs, for cost-effective monitoring in professional workflows.

It features a 12G-SDI single link or 4*3G SDI input with a reclocked SDI loop out for simpler SDI confidence monitoring or pass on for SDI pipelines.

Features

- Convert 12G-SDI to 2*HDMI 2.0a at up to 4K UltraHD 60p,
- Support HDMI 1 downscale 4K to 1080P
- Support for 4:4:4/4:2:2/4:2:0 HDMI 2.0a output
- Support 8/10-bit workflows
- Support YUV & RGB
- HDR signaling metadata pass-through and optional override
- Embedded audio support 24-bit
- 12G-SDI loop out
- Upgrade firmware via USB port
- Monitor the device status via NMS from PC/Mac
- Three year warranty

Specs

• Video Input Digital

1x12G/3G SDI BNC, 4x3G SDI BNC

SMPTE 259M, SMPTE 292M, SMPTE 296M, SMPTE 424M, SMPTE 425M, ITU-R BT.656, ITU-R BT.601

• SDI Video Input & HDMI Output

UHD - 3840x2160p@60/59.94/50/30/29.97/25/24/23.98

HD - 720p@50/59.94/60, 1080i50, 1080i59.94, 1080i60, 1080p@23.98/24/25/29.97/30/50/59.94/60

• Audio Input Digital

SDI embedded audio, 24-bit

• Audio Output Digital

HDMI embedded audio, 24-bit

• Size (w x d x h) & Weight

5" x 4" x 1.15" (127 x 101.6 x 30 mm) 0.88lb (0.4 kg)

• Power

DC12V 3A

AC Adapter: 100-240VAC, 50/60 Hz, universal input

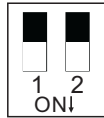
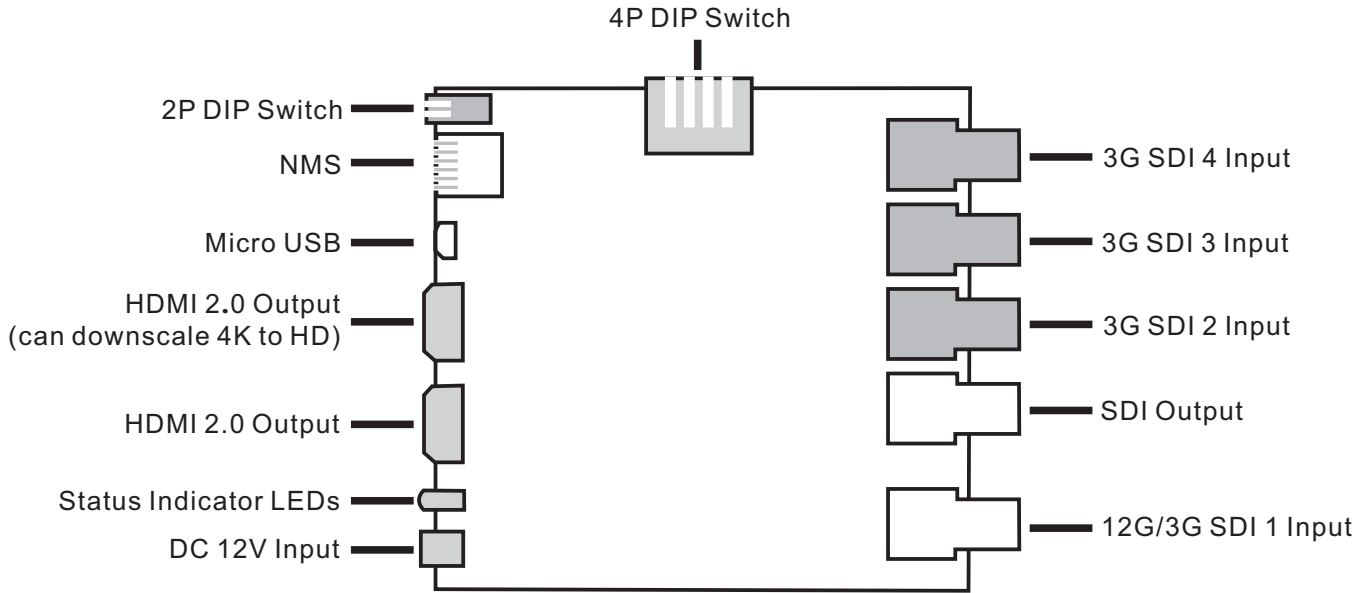
• Environment

Safe Operating Temperature: 0 to 40 C (32 to 104 F)

Safe Storage Temperature (Power OFF): -40 to 60 C (-40 to 140 F)

Operating Relative Humidity: 10-90% noncondensing

Interface & Guide



2P DIP Switch	1	2
Function	SDI Input Mode	2SI/SQ
Definition	ON: 4x3G SDI OFF: 12G SDI	ON: SQD OFF: 2SI

4P DIP Switch	1	2	3	4
Function	HDMI 4K UltraHD	Preserved	Preserved	HDCP Mode
Definition	ON: HD OFF: UHD	Preserved	Preserved	ON: Enable HDCP OFF: Disable HDCP

- **Status Indicator LEDs**

- Red LED - Power on /off

- Green Led - Lock SDI Input Signals, flicker - failed lighting - locked

- **NMS** - Network Monitoring System - IP: 192.168.1.10 username & password - admin

- **Micro USB** - Upgrade firmware via USB port